

SV9510/SV9520 SmartValve™ System Controls

INSTALLATION INSTRUCTIONS

APPLICATION

The TRADELINE® SV9510/SV9520 SmartValve™ System Controls combine gas flow control and electronic direct main burner ignition sequencing functions into a single unit. The ignition source is 120V hot surface igniter lighting the main burner flame. Two types of 120V igniters may be used; see Table 1. Provides all gas ignition safety functions by controlling gas flow, ignition source, and a 120 Vac combustion air blower. The control also monitors the appliance airflow proving switch circuit and limit string to assure proper appliance operation. The SmartValve™ System Controls provide prepurge, postpurge and timed trial for ignition with multiple ignition trials and auto reset from lockout. Diagnostic LED indicates system status.

The control communicates directly with the ST9160 Electronic Fan Timer (EFT) in typical forced warm air furnace applications. It will also interface with the 208907 Terminal Board, providing compatibility with power stealing thermostats. Or, it directly interfaces with the appropriate power supplies and a system thermostat for additional appliance applications. When controlled directly by a thermostat, the control does not provide a postpurge function, as power to the control is removed when the thermostat call for heat ends.

This system is suitable for a wide range of fan-assisted combustion, gas-fired appliances including furnaces, rooftop furnaces, boilers, unit heaters, infrared heaters, water heaters and commercial cooking appliances. The specific application of the SmartValve System is the responsibility of the appliance manufacturer. See Table 2 for temperature ranges and regulator types.

Line voltage polarity sensing models monitor the line voltage input connection to assure line voltage polarity is correct. If line voltage polarity is incorrect, the LED diagnosis code will flash and the control will not respond to the call for heat. These models also provide added LED diagnostic codes ("6+") to indicate the reason the control has moved to the lockout state. See Tables 9 and 10.

SPECIFICATIONS



CAUTION

Equipment Damage Hazard.
Incorrect replacement will damage equipment.

The SV9510/SV9520 provides direct replacement only. See Table 11 for a list of models this replaces.

Body Pattern:

SV9510/SV9520: Straight through with 1/2 in. inlet and 1/2 in. outlet.

Electrical Ratings:

System Transformer: 40 VA minimum NEMA rated.
Voltage and Frequency:
24 Vac, 50/60 Hz.

NOTE: 50 Hz operation increases all timings by 20%.

Output Ratings:

Igniter Load: 5A maximum at 120 Vac.
Induced Draft Motor Load: 2.5A Full Load, 10A Locked Rotor at 120 Vac.
Current at 24 Vac:
24V Thermostat: 0.25A at 24 Vac, 60 Hz.

Table 1. SmartValve™ System Controls Hot Surface Igniter Type.

| Model No. | Hot Surface Igniter Type | HSI Warmup (seconds) | |
|-----------|--------------------------|----------------------|------------------|
| | | First Try | Subsequent Tries |
| SV9510 | Norton 271 | 17 | 27 |
| SV9520 | Norton 601 | 7 | 12 |

See Table 4 for gas capacities.



Table 2. Model Number Suffix Letter Designation.

| Model No. Suffix Letter | Ambient Temperature Range | Pressure Regulator Type |
|-------------------------|----------------------------------|-------------------------|
| H | 0°F to 175°F (-18°C to +79°C) | Slow-opening |
| K | -40°F to +175°F (-40°C to +79°C) | |
| M | -40°F to +175°F (-40°C to +79°C) | Standard |

Prepurge Time (Factory-Set):
15 seconds.

Trial for Ignition (IAP+FRP):
7 or 9 seconds typical, depending on model.

Igniter Warmup Period:
See Table 1.

Automatic Restart Delay:
60 minutes, minimum.

Ignition Retries:
3 retries; 4 trials total before lockout.

Ignition Recycles:
4, then lockout.

Flame Failure Response Time:
2 seconds max. at 5 μ A.

Capacity:
See Table 3.

Conversion:
Use conversion factors in Table 4 to convert capacities for other gases.

Regulation Range (Btuh):
SV9510/SV9520 with 1/2 in. NPT Outlet:
Natural Gas:
Minimum: 20,000.
Maximum: 200,000.
LP Gas:
Minimum: 40,000.
Maximum: 200,000.

Natural-LP Gas Conversion Kits:
Natural Gas to LP:
393691 Conversion Kit.
LP to Natural Gas:
394588 Conversion Kit.

WARNING

Fire or Explosion Hazard.
Can cause property damage, severe injury or death.

Always change the main burner orifices when converting from natural to LP gas or from LP to natural gas. Follow appliance manufacturer specifications and instructions.

CAUTION

Equipment Damage Hazard.
Improper wiring can damage equipment.
Never apply a jumper across or short the thermostat, 24V hot or 24V common terminal in the SV9510/SV9520 wiring harness. This can burn out the heat anticipator in the thermostat or damage the system transformer.

IMPORTANT

Ignition system controls with step-opening regulators (SV9510P/SV9520P) CANNOT be field-converted to LP or natural gas.

Pipe Adapters:

Angle and straight adapters available for 3/8-, 1/2- and 3/4-in. pipe. See Table 8. Flange kits include one flange with attached O-ring, four mounting screws, a 9/64 in. hex wrench and instructions.

Table 3. Capacity^a of SV9510/SV9520.

| Model | Size (Inlet and Outlet) (in.) | Capacity (at 1 in. wc pressure drop ^{b,c}) | Minimum Regulated Capacity | Maximum Regulated Capacity |
|---------------|-------------------------------|--|---|--|
| SV9510/SV9520 | 1/2 x 1/2 NPT | 150 ft ³ /hr (4.2 m ³ /hr) | 20 ft ³ /hr (0.6 m ³ /hr) | 200 ft ³ /hr (5.7 m ³ /hr) |

^a Capacity is reduced by 5 percent with the use of outlet screen.

^b Capacity based on 1000 Btu/feet³, 0.64 specific gravity natural gas at 1 in. wc pressure drop (37.3 kJ/meter³, 0.64 specific gravity natural gas at 0.25 kPa pressure drop).

^c Valves are guaranteed at only 77 percent of the rating.

Approvals:

CAS International: 158158-10592145.

Table 4. Gas Capacity Conversion Factor.

| Gas | Specific Gravity | Multiply Listed Capacity By |
|--------------|------------------|-----------------------------|
| Manufactured | 0.60 | 0.516 |
| Mixed | 0.70 | 0.765 |
| Propane | 1.53 | 1.62 |

Table 5. Adapter (Flange) Part Numbers.

| Inlet/Outlet Pipe Size | Flange Type | Part No. ^{a,b} | |
|------------------------|-------------|-------------------------|-----------------|
| | | Without Hex Wrench | With Hex Wrench |
| 3/8 in. NPT | Straight | 393690-1 | 393690-11 |
| | Elbow | 393690-2 | 393690-12 |
| 1/2 in. NPT | Straight | 393690-6 | 393690-16 |
| | Elbow | 393690-3 | 393690-13 |
| 3/4 in. NPT | Straight | 393690-4 | 393690-14 |
| | Elbow | 393690-5 | 393690-15 |

^a Flange kits include one flange, one O-ring and four mounting screws.

^b Do not use flanges on control models with 3/4 in. inlet and 3/4 in. outlet. On models with 1/2 in. inlet and 3/4 in. outlet, use flanges only on the 1/2 in. inlet side.

PLANNING THE INSTALLATION

WARNING

Fire or Explosion Hazard.
Can cause property damage, severe injury, or death.

Follow these warnings exactly:

1. Plan the installation as outlined below.
2. Plan for frequent maintenance as described in the Maintenance section.

When direct ignition systems are used on central heating equipment in barns, greenhouses, and commercial properties and on heating appliances such as commercial cookers, agricultural equipment, industrial heating equipment and pool heaters, heavy demands are made on the controls. Special steps may be required to prevent nuisance shutdowns and control failure due to frequent cycling, severe environmental conditions related to moisture, corrosive chemicals, dust or excessive heat. These applications require Honeywell Home and Building Control Engineering review; contact your Honeywell Sales Representative for assistance.

Review the following conditions that can apply to your specific installation and take the precautionary steps suggested.

Frequent Cycling

This control is designed for use on appliances that typically cycle three to four times an hour only during the heating season. In year-around applications with greater cycling rates, the control can wear out more quickly. Perform a monthly checkout.

Water or Steam Cleaning

If a control gets wet, replace it. If the appliance is likely to be cleaned with water or steam, protect (cover) the control and wiring from water or steam flow. Mount the control high enough above the bottom of the cabinet so it does not get wet during normal cleaning procedures.

High Humidity or Dripping Water

Dripping water can cause the control to fail. Never install an appliance where water can drip on the control.

In addition, high ambient humidity can cause the control to corrode and fail. If the appliance is in a humid atmosphere, make sure air circulation around the control is adequate to prevent condensation. Also, regularly check out the system.

Corrosive Chemicals

Corrosive chemicals can attack the control, eventually causing a failure. If chemicals are used for routine cleaning, avoid contact with the control. Where chemicals are suspended in air, as in some industrial or agricultural applications, protect the control with an enclosure.

Dust or Grease Accumulation

Heavy accumulations of dust or grease can cause the control to malfunction. Where dust or grease can be a problem, provide covers for the control to limit contamination.

Heat

Excessively high temperatures can damage the control. Make sure the maximum ambient temperature at the control does not exceed the rating of the control. If the appliance operates at very high temperatures, use insulation, shielding, and air circulation, as necessary, to protect the control. Proper insulation or shielding should be provided by the appliance manufacturer; verify proper air circulation is maintained when the appliance is installed.

Line Voltage Power Supply

- 120 Vac hot supply must be connected to C3, pin 2 on SV module.
- Appliance chassis must be earth grounded.
- Earth ground and 120V supply neutral lead must be electrically common at the breaker box.
- Control will not sense flame if these connections are not correct.

INSTALLATION

When Installing this Product...

1. Read these instructions carefully. Failure to follow them could damage the product or cause a hazardous condition.
2. Check the ratings given in the instructions and on the product to make sure the product is suitable for your application.
3. Installer must be a trained, experienced service technician.
4. After installation is complete, check out product operation as provided in these instructions.

WARNING

Fire or Explosion Hazard.
Can cause property damage, severe injury or death.

To avoid dangerous accumulation of fuel gas, turn off gas supply at the appliance service valve before starting installation, and perform Gas Leak Test after completion of installation.

⚠ WARNING

Electrical Shock Hazard.
Can cause severe injury, death, or property damage.

Disconnect power supply before wiring to prevent electrical shock or equipment damage.

IMPORTANT

Always install a sediment trap in gas supply line to prevent contamination of ignition system control.

⚠ CAUTION

Equipment Damage Hazard.
Improper wiring can damage equipment.

Never apply a jumper across or short the thermostat, 24V hot or 24V common terminal in the SV9510/SV9520 wiring harness. This can burn out the heat anticipator in the thermostat or damage the system transformer.

Follow the appliance manufacturer instructions if available; otherwise, use these instructions as a guide.

Converting Ignition System Control from Natural Gas to LP Gas Application (or LP Gas to Natural Gas Application)

⚠ WARNING

Fire or Explosion Hazard.
Can cause property damage, severe injury or death.

Always change the main burner orifices when converting from natural to LP gas or from LP to natural gas. Follow appliance manufacturer specifications and instructions.

Ignition system controls are factory-set for natural (and manufactured) or LP gas. Do not attempt to use an ignition system control set for natural (manufactured) gas on LP gas, or an ignition system control set for LP gas on natural (manufactured) gas.

Ignition system controls with standard or slow opening regulators (SV9510M,H/ SV9520M,H, K) can be converted from one gas to the other with a conversion kit (ordered separately). Order part no. 393691 to convert from natural (manufactured) to LP gas; order part no. 394588 to convert from LP to natural (manufactured) gas.

Two-stage ignition system controls (those with N and Q suffix letters) can be converted using a conversion kit (ordered separately). Order part number 396021 to convert from natural (manufactured) to LP gas; order part number 396025 to convert from LP to natural (manufactured) gas.

IMPORTANT

Ignition system controls with step-opening regulators (SV9510P/SV9520P) CANNOT be field-converted to LP or natural gas.

Install Adapters To Control

If adapters are being installed on the control, mount them as follows:

Flanges

1. Choose the appropriate flange for your application.
2. Remove the seal over the ignition system control inlet or outlet.
3. Make sure that the O-ring is fitted in the groove of the flange. If the O-ring is not attached or missing, do not use the flange.
4. With the O-ring facing the ignition system control, align the screw holes on the ignition system control with the holes in the flange. Insert and tighten the screws provided with the flange. See Fig. 1. Tighten the screws to 25 inch-pounds of torque to provide a gas-tight seal.

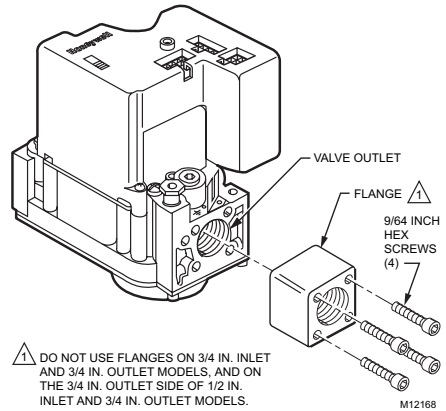


Fig. 1. Firmly fasten flange to valve, but do not overtighten screws.

Bushings

1. Remove the seal over the ignition system control inlet or outlet.
2. Apply a moderate amount of good quality pipe compound to the bushing, leaving two end threads bare. On an LP installation, use compound resistant to LP gas. Do not use Teflon tape.
3. Insert the bushing in the ignition system control and carefully thread the pipe into the bushing until tight.

Complete the instructions below for installing the piping, installing the control, and connecting the wiring. Make sure the leak test you perform on the control after completing the installation includes leak testing the adapters and screws. If you use a wrench on the valve after the flanges are installed, use the wrench only on the flange, not on the control. See Fig. 5.

Location

The SV9510/SV9520 is mounted in the appliance vestibule on the gas manifold.

CAUTION

Equipment Damage Hazard.
Improper mounting location can damage control.

Do not mount the SmartValve™ System Control where water can fall on the device.

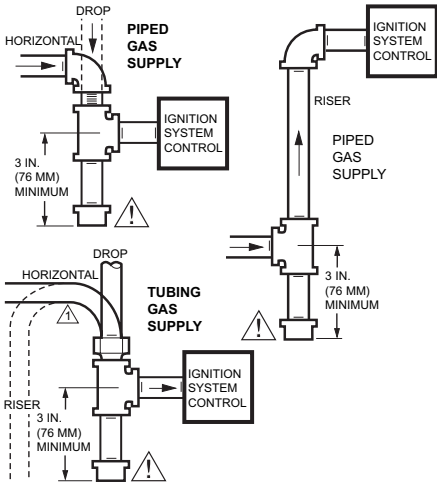
IMPORTANT

These ignition system controls are shipped with protective seals over the inlet and outlet tapings. Do not remove the seals until ready to connect the piping.

Install Piping to Control

All piping must comply with local codes and ordinances or with the National Fuel Gas Code (ANSI Z223.1 NFPA No. 54), whichever applies. Tubing installation must comply with approved standards and practices.

1. Use new, properly reamed pipe free from chips. If tubing is used, make sure the ends are square, deburred and clean. All tubing bends must be smooth and without deformation.
2. Run pipe or tubing to the ignition system control. If tubing is used, obtain a tube-to-pipe coupling to connect the tubing to the ignition system control.
3. Install a sediment trap in the supply line to the ignition system control. See Fig. 2.



⚠ ALL BENDS IN METALLIC TUBING MUST BE SMOOTH.

CAUTION

GAS LEAKAGE HAZARD.
 FAILURE TO FOLLOW PRECAUTIONS CAN RESULT IN A GAS-FILLED WORK AREA. SHUT OFF THE MAIN GAS SUPPLY BEFORE REMOVING END CAP. TEST FOR GAS LEAKAGE WHEN INSTALLATION IS COMPLETE.

M3343D

Fig. 2. Sediment trap installation.

Install Control

1. This ignition system control can be mounted 0 to 90 degrees in any direction, including vertically, from the upright position of the ignition system control switch.
2. Mount the control so the gas flow is in the direction of the arrow on the bottom of the ignition system control.
3. Thread the pipe the amount shown in Table 6 for insertion into ignition system control or adapters. Do not thread pipe too far. Valve distortion or malfunction can result if the pipe is inserted too deeply.

Table 6. NPT Pipe Thread Length (in.)

| Pipe Size | Thread Pipe This Amount | Maximum Depth Pipe can be Inserted into Control |
|-----------|-------------------------|---|
| 3/8 | 9/16 | 3/8 |
| 1/2 | 3/4 | 1/2 |
| 3/4 | 13/16 | 3/4 |

4. Apply a moderate amount of good quality pipe compound (do not use Teflon tape) only to the pipe, leaving two end threads bare. On LP installations, use a compound resistant to LP gas. See Fig. 3.

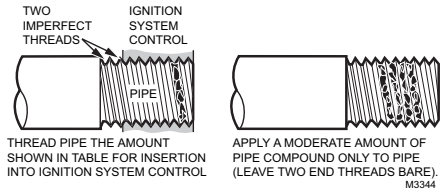


Fig. 3. Use moderate amount of pipe compound.

5. Remove the seals over the ignition system control inlet and outlet, if necessary.
6. Connect the pipe to the ignition system control inlet and outlet. Use a wrench on the square ends of the ignition system control. If a flange is used, place the wrench on the flange rather than on the ignition system control. Refer to Fig. 4 and 5.

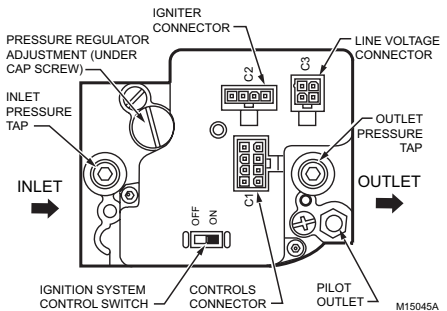


Fig. 4. Top view of ignition system control.

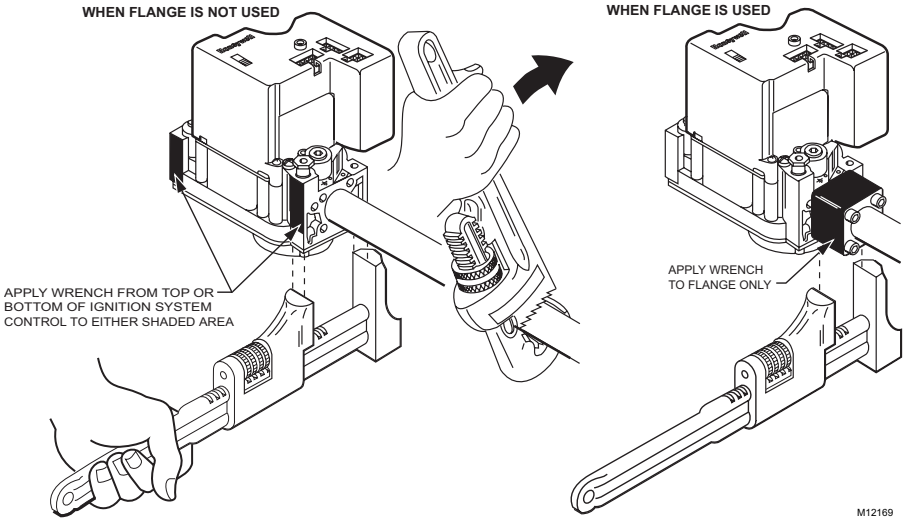


Fig. 5. Proper use of wrench on ignition system control with and without flanges.

WIRING

Follow the wiring instructions furnished by the appliance manufacturer, if available, or use the general instructions provided below. When these instructions differ from the appliance manufacturer, follow the appliance manufacturer instructions.

All wiring must comply with applicable electrical codes and ordinances.

⚠ WARNING

Electrical Shock Hazard.
Can cause severe injury, death, or property damage.

Disconnect power supply before making wiring connections to prevent electrical shock or equipment damage.

1. Check the power supply rating on the ignition system control and make sure it matches the available supply. The system transformer should be NEMA rated for 40 VA or larger. An appliance system power review is recommended. Install a transformer, thermostat and other controls, as required.
2. Connect the 120 Vac power supply HOT lead to L1 on the ST9160 or 208907 Terminal Board.

3. Appliance chassis must have reliable connection to earth ground.
4. Connect control circuit to the ignition system control using the keyed connector. See Fig. 7 through 10.

Ground Commonality Check

Use a multimeter to check for ground commonality between the appliance chassis and the neutral side (L2) of the ac line voltage. Set the multimeter for ac volts and a range low enough to read ten volts or less. See Fig. 6. Voltage reading between the appliance chassis and the neutral side (L2) of the line voltage should be less than ten volts.

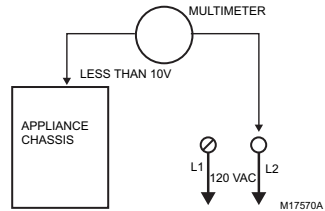


Fig. 6. Testing for ground commonality.

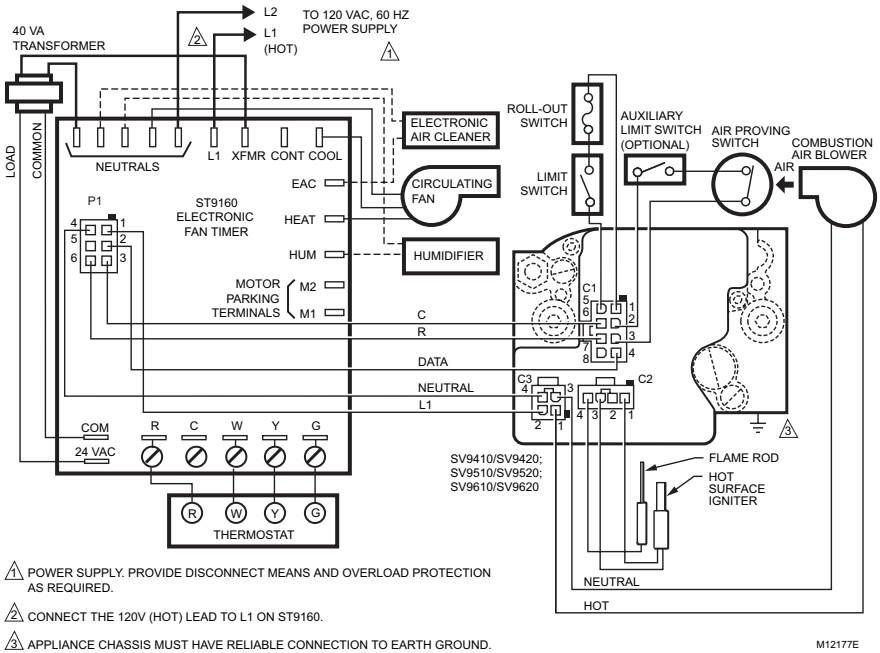


Fig. 7. SV9510/SV9520 typical wiring connections in fan-assisted warm air furnace with ST9160 Fan Board.

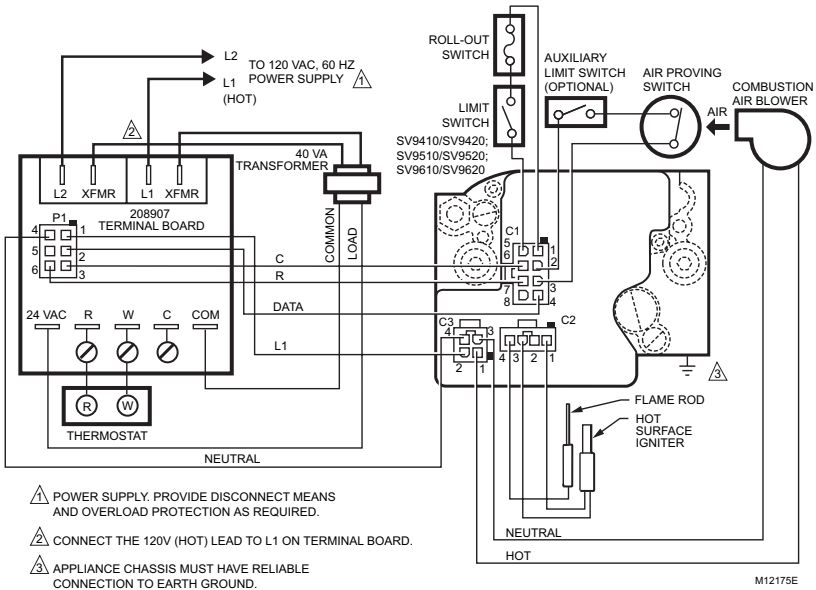
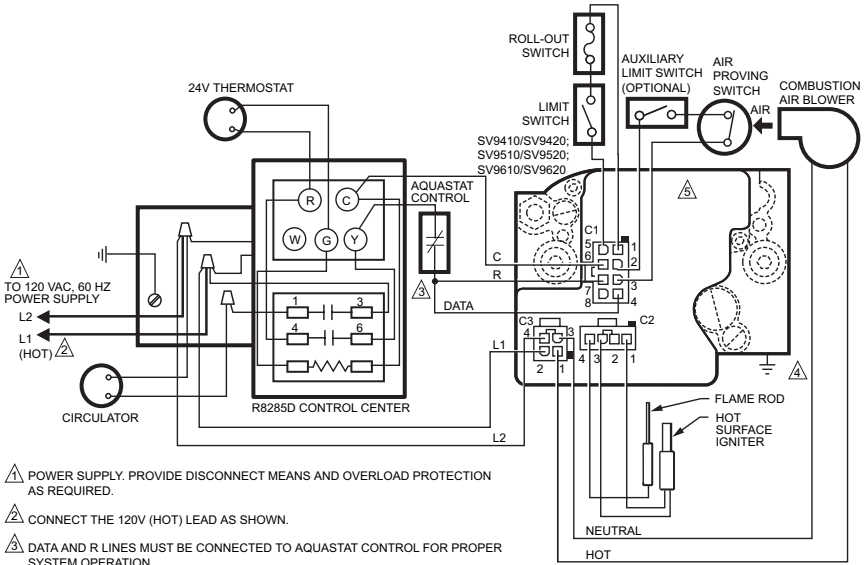


Fig. 8. SV9510/SV9520 typical wiring connection with 208907 Terminal Board.




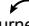
- ⚠ POWER SUPPLY. PROVIDE DISCONNECT MEANS AND OVERLOAD PROTECTION AS REQUIRED.
- ⚠ CONNECT THE 120V (HOT) LEAD AS SHOWN.
- ⚠ DATA AND R LINES MUST BE CONNECTED TO AQUASTAT CONTROL FOR PROPER SYSTEM OPERATION.
- ⚠ APPLIANCE CHASSIS MUST HAVE RELIABLE CONNECTION TO EARTH GROUND.
- ⚠ IN THIS APPLICATION, POSTPURGE FUNCTION IS NOT AVAILABLE AND THE LED FUNCTIONS ONLY DURING A CALL FOR HEAT.

M12397D

Fig. 9. SV9510/SV9520 typical boiler wiring diagram.

LP, at the tank. Also shut off gas supply before disconnecting manometer and replacing plug. Repeat Gas Leak Test at plug with main burner operating.

NOTE: Check the inlet pressure before adjusting the pressure regulator.

1. Check the full rate manifold pressure listed on the appliance nameplate. Ignition system control full rate outlet pressure should match this rating.
2. With main burner operating, check the ignition system control flow rate using the meter clamping method or check pressure using a manometer connected to the outlet pressure tap on the ignition system control. See Fig. 4.
3. If necessary, adjust the pressure regulator to match the appliance rating. See Tables 7 and 8 for factory-set nominal outlet pressure and adjustment range.
 - a. Remove the pressure regulator adjustment cap screw.
 - b. Using a screwdriver, turn the inner adjustment screw clockwise  to increase or counterclockwise  to decrease the gas pressure to the burner.
 - c. Always replace the cap screw and tighten firmly to prevent gas leakage.

4. If the desired outlet pressure or flow rate cannot be achieved by adjusting the ignition system control, check the ignition system control inlet pressure using a manometer at the ignition system control inlet pressure tap. If the inlet pressure is in the nominal range (see Tables 8A and 8B), replace the ignition system control. Otherwise, take the necessary steps to provide proper gas pressure to the control.

NOTE: If the burner firing rate is above the capacity (at 1 in. wc pressure drop) of the control (see Table 3 for capacities), it may not be possible to deliver the desired outlet pressure. This is an application issue, not a control failure. Take whatever steps are required to correct the situation.

5. STEP-OPENING PRESSURE REGULATORS ONLY. Carefully check the burner lightoff at step pressure. Make sure the burner lights smoothly and without flashback to the orifice. Make sure all ports remain lit. Cycle the burner several times, allowing at least 60 seconds between cycles for the regulator to resume the step function. Repeat after allowing the burner to cool. Readjust the full rate outlet pressure, if necessary, to improve lightoff characteristics.

Table 7. Pressure Regulator Specification Pressures (in. wc).

| Model Type | Type of Gas | Nominal Inlet Pressure Range | Factory Set Nominal Outlet Pressure | | Setting Range | |
|----------------|-------------|------------------------------|-------------------------------------|-----------|---------------|-----------|
| | | | Step | Full Rate | Step | Full Rate |
| Standard, Slow | NAT | 5.0-7.0 | — | 3.5 | — | 3.0-5.0 |
| | LP | 12.0-14.0 | — | 10.0 | — | 8.0-12.0 |

Table 8. Pressure Regulator Specification Pressures (kPa).

| Model Type | Type of Gas | Nominal Inlet Pressure Range | Factory Set Nominal Outlet Pressure | | Setting Range | |
|----------------|-------------|------------------------------|-------------------------------------|-----------|---------------|-----------|
| | | | Step | Full Rate | Step | Full Rate |
| Standard, Slow | NAT | 1.2-1.7 | — | 0.9 | — | 0.7-1.2 |
| | LP | 2.9-3.9 | — | 2.5 | — | 2.0-3.0 |

MAINTENANCE

WARNING

Fire or Explosion Hazard.
Can cause severe injury, death or property damage.

Do not attempt to take the control apart or clean it. Improper cleaning or reassembly can cause gas leakage.

Regular preventive maintenance is important in applications such as in the commercial cooking and agricultural and industrial industries that place a heavy load on system controls because:

- In many such applications, particularly commercial cooking, the equipment operates 100,000 to 200,000 cycles per year. Such heavy cycling can wear out the gas control in one to two years.
- Exposure to water, dirt, chemicals and heat can damage the gas control and shut down the control system.

The maintenance program should include regular checkout of the control as outlined in the Startup and Checkout section, and the control system as described in the appliance manufacturer literature.

Maintenance frequency must be determined individually for each application. Some considerations are:

- Cycling frequency. Appliances that may cycle 200,000 times annually should be checked monthly.
- Intermittent use. Appliances that are used seasonally should be checked before shutdown and again before the next use.
- Consequence of unexpected shutdown. Where the cost of an unexpected shutdown would be high, the system should be checked more often.
- Dusty, wet, or corrosive environment. Since these environments can cause the gas control to deteriorate more rapidly, the system should be checked more often.

The system should be replaced if:

- It does not perform properly on checkout or troubleshooting.
- The gas control is likely to have operated for more than 200,000 cycles.
- The control is wet or looks as if it has been wet.

SERVICE

WARNING

Fire or Explosion Hazard.
Can cause severe injury, death or property damage.

Do not disassemble the ignition system control; it contains no replaceable components. Attempted disassembly or repair can damage the ignition system control.

CAUTION

Equipment Damage Hazard.
Improper wiring can damage the equipment.

1. Do not apply a jumper across or short the thermostat, 24V hot or 24V common terminal in the SV9510/SV9520 wiring harness. Doing so can burn out the heat anticipator in the thermostat or damage the system transformer.
2. After servicing, verify proper system operation.

IMPORTANT

Allow 60 seconds after shutdown before re-energizing step-opening model to assure lightoff at step pressure.

Sequence of Operation

1. Make sure the ignition system control switch is in the ON position.
2. Follow the sequence of operation as shown in Fig. 11.

TROUBLESHOOTING

Troubleshooting with LED Indicator Assistance (No cycling of appliance power or thermostat call for heat since appliance failure has occurred)

WARNING

Electrical Shock Hazard.
Can cause severe injury, death or property damage.

Only a trained, experienced service technician should perform this troubleshooting.

1. Check the system thermostat to make sure it is in an active call for heat mode. (Do not cycle the thermostat on and off at this time.)
2. Remove the appliance burner compartment door. Do not interrupt the power to the SV9510/SV9520 by opening any electrically interlocked panels.
3. Observe LED indicator on SV9510/SV9520, check and repair the system as noted in Table 9.
4. After LED flash code analysis and appliance repair are complete, turn thermostat below room temperature for 10 seconds; turn the thermostat above room temperature to initiate a new call for heat.
5. Observe the ignition sequence; comparing it to the Sequence of Operation shown in Fig. 11. Allow the new ignition sequence to proceed until appliance lights or an abnormal or unexpected event is observed. See next section.

Troubleshooting Without LED Indicator Assistance (Appliance power or thermostat call for heat has cycled since appliance failure occurred)

WARNING

Electrical Shock Hazard.
Can cause severe injury, death or property damage.

Only a trained, experienced service technician should perform this troubleshooting.

1. Make sure the appliance power is on and any manually operated gas cock on the appliance is open.
2. Remove the appliance burner compartment door. Confirm that SV9510/SV9520 LED indicator is flashing in a "bright - dim" sequence.
3. Make sure the ignition system control switch is in the ON position.
4. Disconnect the system thermostat leadwires at the ST9160 EFT or the 208907 Terminal Board.
5. Using alligator clips on a short jumper wire, jumper the R and W terminals on the EFT or Terminal Board.
6. Observe the appliance operation, comparing it to the Sequence of Operation shown in Fig. 11. Allow the ignition sequence to proceed until the appliance lights or an abnormal or unexpected event is observed.
7. Check the appliance as shown in Table 10.

INSTRUCTIONS TO THE HOMEOWNER

WARNING

Fire or Explosion Hazard.
Can cause severe injury, death or property damage.

Follow these warnings exactly:

1. **IF YOU SMELL GAS:**
 - Turn off the gas supply at the appliance service valve. On LP gas systems, turn off the gas supply at the gas tank.
 - Do not light any appliances in the house.
 - Do not touch electrical switches or use the phone.
 - Leave the building and use a neighbor's phone to call your gas supplier.
 - If you cannot reach your gas supplier, call the fire department.
2. The ignition system control must be replaced in event of any physical damage, tampering, bent terminals, missing or broken parts, stripped threads, or evidence of exposure to heat.

IMPORTANT

Follow the operating instructions provided by the manufacturer of your heating appliance. The information below describes a typical ignition system control application, but the specific controls used and the procedures outlined by the manufacturer of your appliance can differ, requiring special instructions.

STOP: Read the Warnings Above.

If the appliance does not turn on when the thermostat is set several degrees above room temperature, follow these instructions:

1. Set the thermostat to its lowest setting to reset the safety control.
2. Disconnect all electric power to the appliance.
3. Remove the ignition system control access panel.
4. Move the ignition system control switch to the OFF position.
5. Wait five minutes to clear out any unburned gas. If you then smell gas, STOP! Follow Step 1 in the Warning above. If you do not smell gas, continue with the next step.
6. Move the ignition system control switch to the ON position.
7. Replace the ignition system control access panel.
8. Reconnect all electric power to the appliance.
9. Set the thermostat to the desired setting.
10. If the appliance does not turn on, move the ignition system control switch to the OFF position and contact a qualified service technician for assistance.

Turning off the Appliance

Vacation Shutdown—

Set the thermostat to the desired room temperature while you are away.

Complete Shutdown—

Turn off power to the appliance. Turn off the gas supply to the appliance. Appliance will completely shut off. Follow the procedure in the Instructions to the Homeowner section above to resume normal operation.

**SV9510/SV9520 DIRECT HOT SURFACE IGNITION SmartValve™ SYSTEM CONTROL
SEQUENCE OF OPERATION WITH ST9160 ELECTRONIC FAN TIMER OR 208907 TERMINAL BOARD**

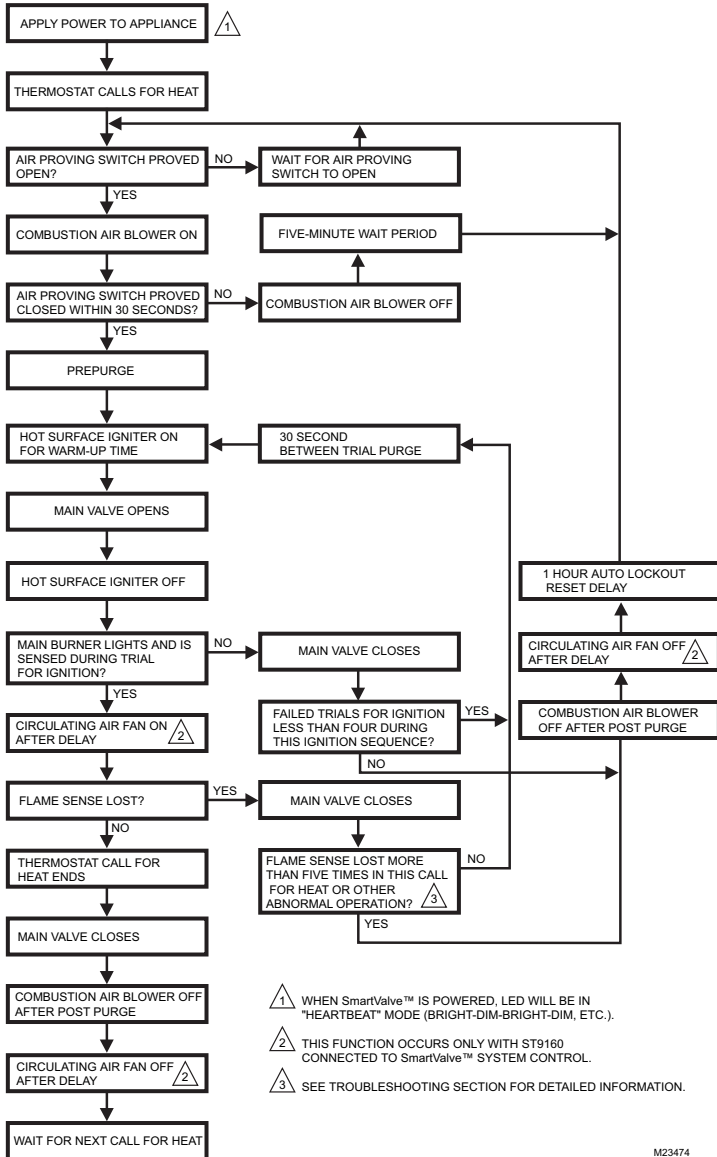


Fig. 11. SV9510/SV9520 sequence of operation.

Table 9. Troubleshooting with LED Indicator Assistance.

| LED Status | Indicates | Check/Repair |
|---|--|---|
| OFF | No power to system control. | <ol style="list-style-type: none"> 1. Line voltage input power at L1 and L2. connectors on ST9160 Electronic Fan Timer (EFT) or 208907 Terminal Board. 2. Low voltage (24V) power at 24 VAC and COM terminals on ST9160 or Terminal Board. 3. Fuse on ST9160 EFT, if provided. 4. System wiring harness in good condition and securely connected at both ends. |
| "Heartbeat"— Alternating Bright - Dim | Normal Operation. This indication shows whenever the system is powered, unless some abnormal event has occurred. | — |
| 2 Flashes | Airflow proving switch remains closed longer than 30 seconds after a call for heat begins. Combustion air blower is not energized until airflow proving switch opens. | <ol style="list-style-type: none"> 1. Airflow proving switch stuck closed. 2. Airflow proving switch miswired or jumpered. |
| 3 Flashes | Airflow proving switch remains open longer than 30 seconds after combustion air blower energized. System goes into 5-minute delay period, with combustion blower off. At the end of the 5-minute delay, another ignition cycle will begin. | <ol style="list-style-type: none"> 1. Ignition system control switch must be in the ON position. 2. Airflow proving switch operation, tubing, and wiring. 3. Obstructions or restrictions in appliance air intake or exhaust flue system that prevent proper combustion air flow. |
| 4 Flashes | Limit string open. Combustion air blower is energized. If control system includes ST9160 Electronic Fan Timer, the heat speed circulating air fan will be energized until the limit string resets. | <ol style="list-style-type: none"> 1. Open manual reset or auto reset burner rollout switch. 2. Open high temperature or auxiliary limit switch. 3. Limit and rollout switch wiring in good condition and securely connected. |
| 5 Flashes | Flame signal sensed out of proper sequence. Combustion air blower is energized. If control system includes ST9160 Electronic Fan Timer, the heat speed circulation air fan will be energized after the selected heat fan on delay. | Flame at main burner. |
| 6 Flashes | System Lockout. After one hour lockout reset delay, control will reset and initiate a new ignition sequence if the call for heat is still present. | <ol style="list-style-type: none"> 1. Gas supply off or at too low pressure to operate appliance. 2. Damaged or broken HSI element. 3. Line voltage HOT leadwire not connected to L terminal on ST9160 or Terminal Board. 4. Appliance not properly earth grounded. 5. Flame sense rod contaminated or in incorrect location. 6. HSI element located in incorrect position. 7. Hot surface element or flame sense rod wiring in good condition and properly connected. |
| 6+1 Flashes ^{a,c} | Soft Lockout—Maximum retry count exceeded—4 failed trials for ignition in this call for heat. | <ol style="list-style-type: none"> 1. Gas supply off or at too low pressure to operate appliance. 2. Damaged or broken HSI element. 3. Line voltage HOT leadwire not connected to L terminal on ST9160 or Terminal Board. 4. Appliance not properly earth grounded. 5. Flame sense rod contaminated or in incorrect location. 6. HSI element located in incorrect position. 7. Hot surface element or flame sense rod wiring in good condition and properly connected. |
| 6+2 Flashes ^{a,b,c} | Soft Lockout—Recycle count exceeds 5 on this call for heat—last failure was Flame Sense Lost During Run. | <ol style="list-style-type: none"> 1. Gas supply pressure inconsistent or too low to operate appliance with other gas appliances firing. 2. Appliances and appliance power supply not properly earth grounded. 3. Flame sense rod contaminated, grounded to appliance chassis, or in incorrect location. 4. HSI element and flame sense rod wiring in good condition and properly connected. |
| 6+3 Flashes ^{a,b,c} | Soft Lockout—Recycle count exceeds 5 on this call for heat—last failure was Air Flow Proving Circuit Opened During Run. | <ol style="list-style-type: none"> 1. Inducer and inducer wiring. 2. Low line voltage power supply. 3. Airflow proving switch operation, tubing, wiring. 4. Obstructions or restrictions in appliance air intake or exhaust flue system that prevent proper combustion airflow. 5. Other devices (such as auxiliary limits) in the airflow proving circuits. |
| 6+4 Flashes ^{a,b,c} | Soft Lockout—Recycle count exceeds 5 on this call for heat—last failure was Limit Circuit Opened During Run. | <ol style="list-style-type: none"> 1. Open high temperature or auxiliary limit switch. 2. Open manual reset or auto reset burner rollout switch in the limit circuit. 3. Limit and rollout switch wiring in good condition and securely connected. 4. Circulating air fan wiring and operation. 5. Obstructions in appliance or duct work that prevent proper circulation through heat exchanger. |

Table 9. Troubleshooting with LED Indicator Assistance. (Continued)

| LED Status | Indicates | Check/Repair |
|----------------------------|---|--|
| 6+5 Flashes ^{a,c} | Soft Lockout—Flame has gone away after Error Code 5 (Flame sensed out of sequence). | <ol style="list-style-type: none"> 1. Cycle call for heat. Check for flame at main burner after call for heat ends. 2. If no flame visible and Flash Code 5 repeats, replace SmartValve™. |
| 6+6 Flashes | Not used. | — |
| 6+7 Flashes ^{a,c} | Soft Lockout—Valve drive hardware self-check failure. | <ol style="list-style-type: none"> 1. Cycle call for heat. If 6+7 Flash Code repeats, replace SmartValve™. |
| 10 ^c | Line voltage input polarity reversed at SmartValve™. | <ol style="list-style-type: none"> 1. Line voltage power supply correct and properly connected to ST9160 EFT. 2. Appliance chassis earth grounded to Green (Earth Ground) lead of line voltage power supply. 3. EFT to SmartValve™ wiring correct (see Fig. 7). |

^a The 6+X designation indicates a combination of flash codes: 6 flashes show the control is in soft lockout, followed by X flashes to indicate the reason for the soft lockout. When the 6+X code is flashed the SmartValve™ will attempt a new ignition sequence after one hour, if the call for heat is still present. Reset of the thermostat will initiate a new ignition sequence immediately. Applies only to those units with line voltage polarity sensing.

^b Any combination of 5 abnormal events during a single call for heat will result in soft lockout. An abnormal event is a Flame Sense Failure During Run, Airflow Proving Circuit Open During Run, or Limit Circuit Open During Run. The flash code will indicate which was the last abnormal event that put the system into the soft lockout state based on the table above.

^c Applies only to those units with line voltage polarity sensing.

Table 10. Troubleshooting Without LED Indicator Assistance.

| If | And | Check/Repair |
|--|---|--|
| Combustion air blower does not energize. | 2-Flash code does not come on 30 seconds after call for heat starts. | <ol style="list-style-type: none"> 1. Combustion air blower wiring. 2. Combustion air blower. |
| Combustion air blower does not energize. | 2-Flash code does come on 30 seconds after call for heat starts. | <ol style="list-style-type: none"> 1. Airflow proving switch stuck closed. 2. Airflow proving switch miswired or jumpered. |
| Combustion air blower is energized. | 3-Flash code does not come on after 30 seconds. | Wait for the prepurge time to expire. |
| 3-Flash code comes on 30 seconds after combustion air blower is energized. | Combustion air blower turns off. | <ol style="list-style-type: none"> 1. Ignition system control switch must be in the ON position. 2. Airflow proving switch stuck in open position. 3. Airflow proving switch tubing and wiring. 4. Obstructions or restrictions in appliance air intake or exhaust flue system that prevent proper combustion air flow. |
| Prepurge time has expired. | HSI element does not glow red within 10 to 15 seconds. | <ol style="list-style-type: none"> 1. Broken or damaged HSI element. 2. Broken or damaged HSI element leadwires. 3. SV9410/SV9420; SV9510/SV9520; SV9610/SV9620 failure to power HSI element. |
| HSI element is glowing red. | No other visible control system action. | Wait for HSI element warmup time to expire. |
| HSI element warmup time has expired and main valve has been energized. | Main burner does not light within trial for ignition period. | <ol style="list-style-type: none"> 1. Combustion air blower moving main burner gas away from HSI element. 2. Inlet gas pressure too low for main burner ignition. 3. Input line voltage too low to heat HSI element. 4. HSI element incorrectly positioned. 5. Clogged or incorrect main burner orifice. |
| Main burner lights within trial for ignition period. | Main valve is de-energized at the end of the trial for ignition period. If main flame is not sensed during trial for ignition, system will shut off HSI element and main gas flow, then go through a between-trial purge period and initiate another ignition trial. A total of four ignition trials will be attempted before the system goes to lockout. | <ol style="list-style-type: none"> 1. Line voltage to L1 terminal of ST9160 or Terminal Board must be 120 volts with reference to appliance chassis. 2. Appliance must be reliably connected to earth ground. 3. Combustion air blower moving main burner flame away from flame sense rod. 4. Inlet gas pressure too low for proper flame sensing. 5. Flame sense rod contaminated or in incorrect location. 6. Wiring between SV9410/SV9420; SV9510/SV9520; SV9610/SV9620 and flame sense rod must be in good condition and properly connected. |
| Main burner stays on after the end of the trial for ignition period. | Circulating air fan is not turned on after appropriate time delay (systems with ST9160 Electronic Fan Timer only). | <ol style="list-style-type: none"> 1. Wiring between system control and ST9160 EFT. 2. Proper operation of ST9160 EFT. |
| Main burner goes out before thermostat call for heat ends. | 4-Flash code comes on . | <ol style="list-style-type: none"> 1. Open manual reset or auto reset burner rollout switch. 2. Open high temperature or auxiliary limit switch. 3. Limit and rollout switch wiring in good condition and securely connected. |
| Main burner goes out before thermostat call for heat ends. | 4-Flash code does not come on . | <ol style="list-style-type: none"> 1. Intermittent wiring connection between SV9510/SV9520 and flame rod. 2. Combustion air blower moving main flame away from flame rod. 3. Airflow proving switch has opened. 4. Flame sense rod ceramic or leadwire overheated. 5. Gas flow supply reduced or interrupted. |

Table 11. Replacement Chart for SV9510/SV9520.

| Part Number | | Specifications | | | | | | Cross |
|--------------------------|---------------------------|----------------|----------------------------|---|---------------------------------------|--|----------------------|--|
| Ignition/ Application | Universal Service Part | Gas Type | Opening Characteristics | Ambient Temperatur e Range | Includes | | | Replaces |
| | | | | | Natural to LP Conversion Kit | 3/4 in. x 1/2 in. Reducer Bushings | Extension Harness | |
| Direct Ignition | SV950M2511 | Natural | Standard Opening | -40°F to 175°F (-40°C to 79°C) | Yes | None | No | SV9510M2347 SV9510M2362 SV9410M2902 SV9510M2412 SV9510M2354 SV9410M2910 SV9510M2388 SV9510M2420 |
| | SV9520M2536 | | | | | | | SV9420M2331 SV9520M2403 SV9420M2323 |
| | SV9510K2539 | | Slow Opening | | | | | SV9510H2228 SV9510K2133 SV9510K2158 SV9510K2141 SV9510K2166 |
| | SV9520H8513 | | Fast/Slow Opening | | | | | 0°F to 175°F (-18°C to 79°C) |

Automation and Control Solutions

Honeywell International Inc.
1985 Douglas Drive North
Golden Valley, MN 55422
customer.honeywell.com

Honeywell Limited-Honeywell Limitée
35 Dynamic Drive
Toronto, Ontario M1V 4Z9

